

Contactless Hall-IC Angle Sensor

MIDORI CP-2HB Series



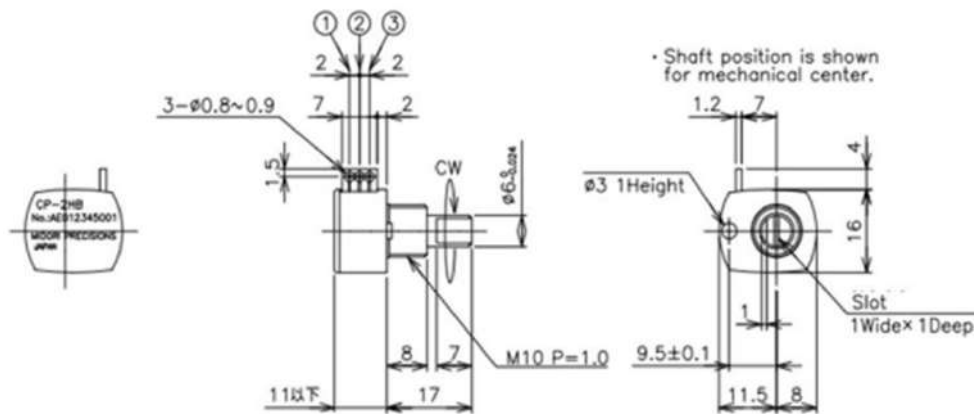
General

- Single-turn Hall-IC Angle Sensor
- Effective Electrical Travel: 90°
- Independent Linearity: $\pm 3\%$ FS
- Bushing Mount
- Low Cost

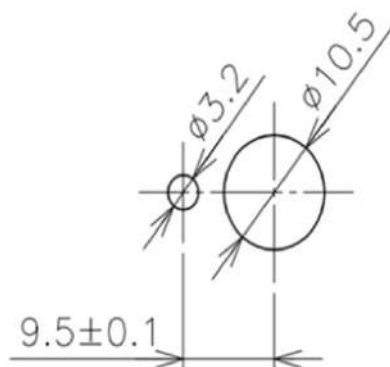
Material

- Housing: PBT
- Shaft: Copper Alloy

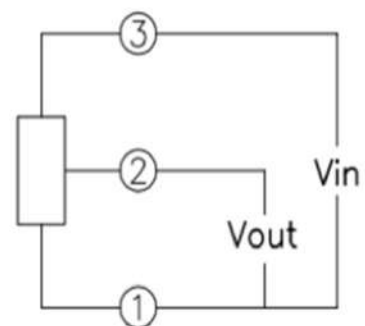
Dimension (mm)



Mounting(mm)

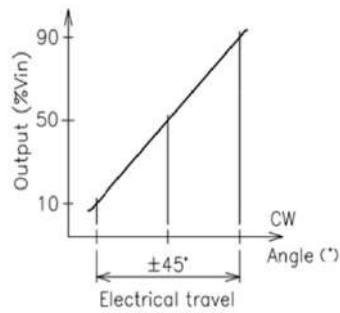


Schematic



• 1,2,3 indicate Land No.

Output Characteristics



Specifications

CP-2HB	
Electrical Specifications	
Effective Electrical Travel	±45°
Output Range	10~90%Vin
Independent Linearity	±3%FS
Input Voltage	DC5V±0.5V
Load Resistance	10KΩ MIN.
Supply Current	10mA MAX.
Insulation Resistance	100MΩMIN./DC50V
Temp. Characteristics -20~+100°C	±3° (Reference Temperature: 25°C)
Mechanical Specifications	
Total Mechanical Travel	360° Endless
Torque	5mN · m MAX.
Weight	Approx. 10g
Environmental Specifications	
Life Cycle	10 Million Cycles
Category Temperature Range	-20~+100°C
Storage Temperature Range	-20~+100°C
Vibration	98m/S ² 3axis 2hours
EMS	100V/m 10K-1GAHz
ESD(Case to Each Terminal)	±2.5KV
ESD(Between Each Terminal)	±4KV

Accessories

N9 Nut, Plain Washer 1piece each

Handling Instruction

- Do not use Hall-IC sensors as a variable resistor.
- This product may be influence from external magnetic field.
- Use this sensor in the place where is protected from ESD.