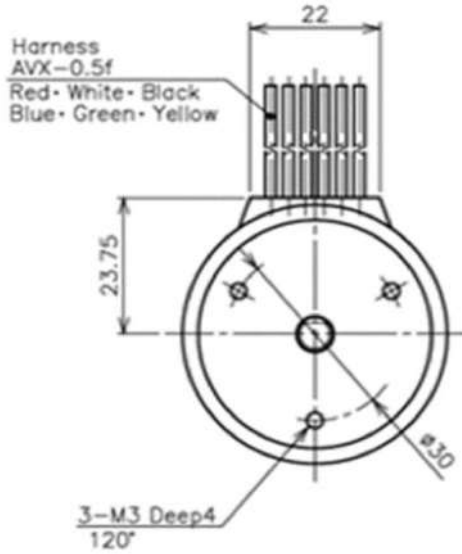
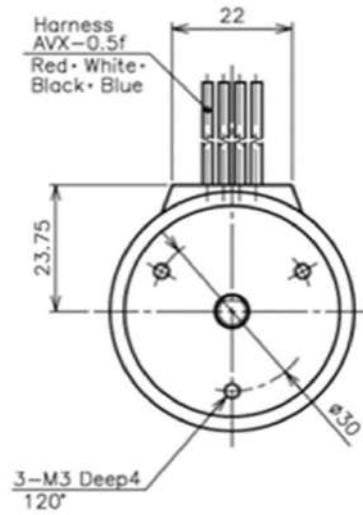


Dimension (mm)

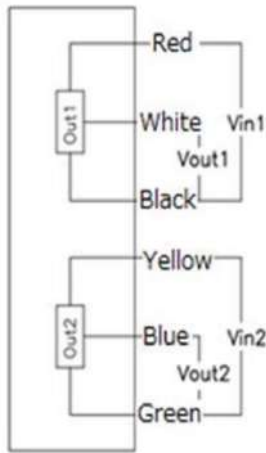
Dual Output, 6 wires



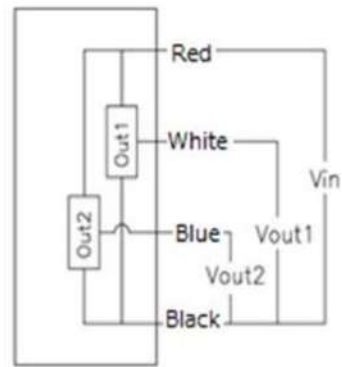
Dual Output, 4 wires



Schematic



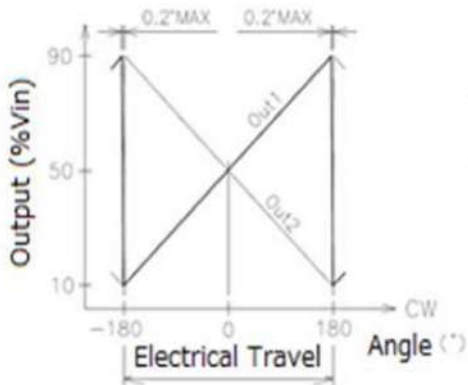
Each color indicate harness colors



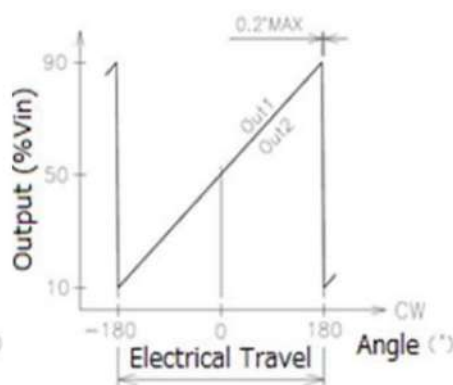
Each color indicate harness colors

Output Characteristics

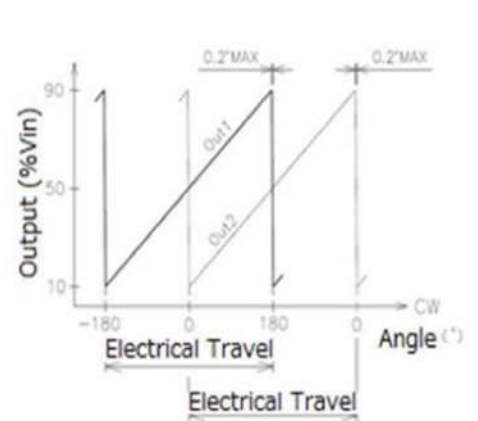
Cross Output



Parallel Output



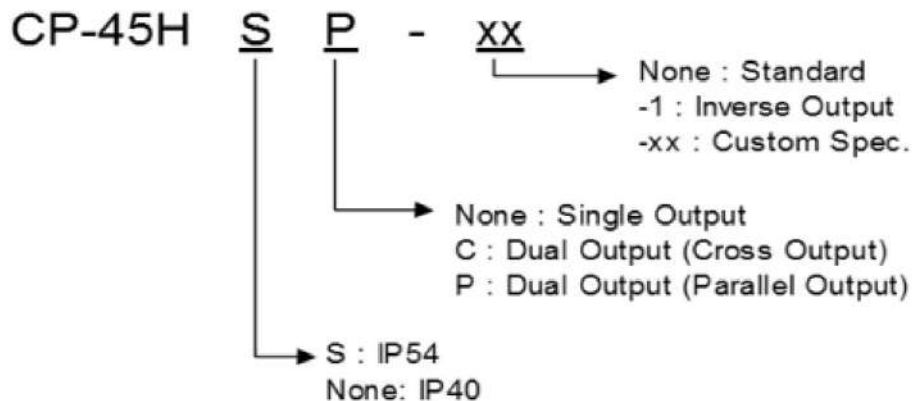
180° Phase Output



Specifications

	CP-45H	CP-45HS	CP-45HC	CP-45HP	CP-45HSP	CP-45HSC
Electrical Specifications						
Effective Electrical Travel	360° (=359.8°)					
Output Range	10%~90%Vin					
Absolute Linearity	±0.4%FS (FS=360°)					
Input Voltage	DC5V±0.5V					
Load Resistance	10KΩMIN.					
Insulation Resistance	100MΩMIN. DC50V					
Supply Current	10mA MAX.		20mA MAX.			
Output Resolution	12bit (Shaft Rotational Speed 20rpm MAX.)					
Hysteresis	±0.2%FS MAX.					
Response Time	0.9ms MAX.					
Temp. Characteristics -40~100°C (Ref.Temp. 25°C)	±1.08° MAX.					
Dual Output Difference	---	---	100±1.5%Vin	±1.5%Vin	±1.5%Vin	100±1.5%Vin
Mechanical Specifications						
Total Mechanical Travel	360° Endless					
Thrust Load Tolerance	2N					
Radial Load Tolerance	5N					
Mass	Approx. 20g					
Torque	1.8mN · m	30mN · m	1.8mN · m	1.8mN · m	30mN · m	30mN · m
Environmental Specifications						
Life Cycle	10 Million Cycle (Room Temp. No load)					
Category Temp. Range	-40~+100°C					
Storage Temp. Range	-30~+100°C					
Vibration	5~500Hz, 200m/S ² (20G) 3directions 4hours each					
Shock	1000m/S ² (100G), 6directions 3times					
EMS	100V/m 1M~1GHz (ISO 11452)					
ESD (Case to Each Terminal)	±15kV MAX. (IEC61000-4-2)					
ESD (Between Each Terminal)	±15kV MAX. (IEC61000-4-2)					
IP Level	IP40	IP54	IP40	IP40	IP54	IP54

CP-45H Model Number Designation



Handling Instruction

- Do not use Hall-IC sensors as a variable resistor.
- This product may be influence from external magnetic field.
- Use this sensor in the place where is protected from ESD.