

# Contactless Hall-IC Angle Sensor

## MIDORI QP-2H Series



### General

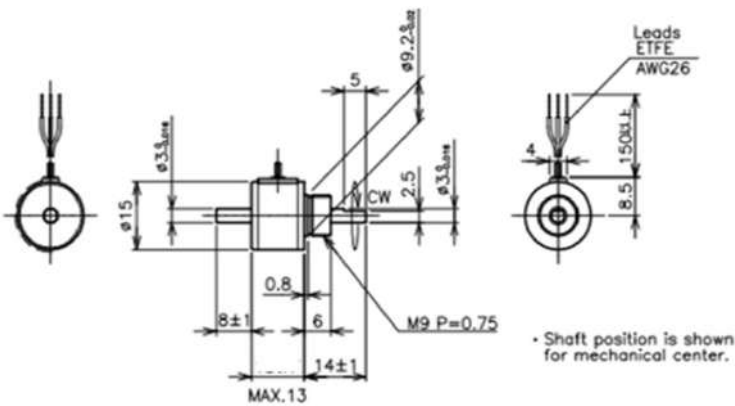
- Single-turn Hall-IC Angle Sensor
- Effective Electrical Travel: 90°
- Independent Linearity:  $\pm 1.5\%FS$
- Bushing Mount
  - QP-2H : Double Shaft
  - QP-2HC : Single Shaft

### Material

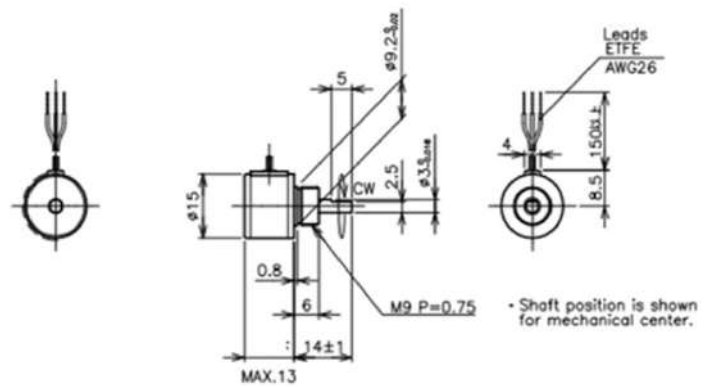
- Housing: Aluminum
- Shaft: Stainless Steel
- Cover: Stainless Steel
- Ball Bearing: Stainless Steel

### Dimension (mm)

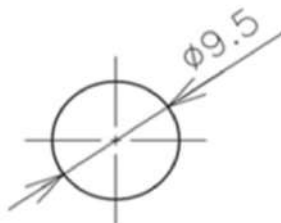
#### QP-2H (Double Shaft)



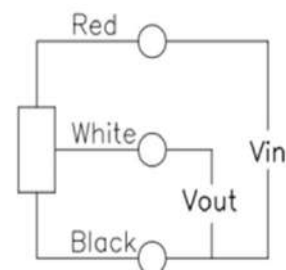
#### QP-2HC (Single Shaft)



### Mounting(mm)

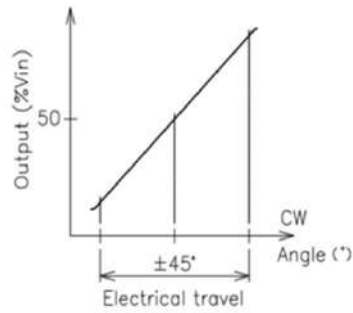


### Schematic



• Red, White, Black indicate wire colors.

# Output Characteristics



## Specifications

QP-2H (Double Shaft) / QP-2HC (Single Shaft)	
<b>Electrical Specifications</b>	
Effective Electrical Travel	±45°
Output Range	10~90%Vin
Independent Linearity	±1.5%FS
Input Voltage	DC5V±0.5V
Load Resistance	10KΩ MIN.
Supply Current	10mA MAX.
Insulation Resistance	100MΩMIN./DC50V
Temp. Characteristics -30~+100°C (Reference Temp. 25°C)	@0° Position: ±1.5° @ ±45° Position: ±2.5°
<b>Mechanical Specifications</b>	
Total Mechanical Travel	360° Endless
Torque	0.05mN · m MAX.
Thrust Load Tolerance	1N
Radial Load Tolerance	5N
Mass	Approx. 10g
<b>Environmental Specifications</b>	
Category Temperature Range	-30~+100°C
Storage Temperature Range	-30~+100°C

## Accessories

N9 Nut, Internal Toothed Lock Washer 1piece each

## Handling Instruction

- Do not use this sensor as a variable resistor.
- This product may be influence from external magnetic field.
- Use this sensor in the place where is protected from ESD.