

# Multi-turn Dial

# MIDORI H-22



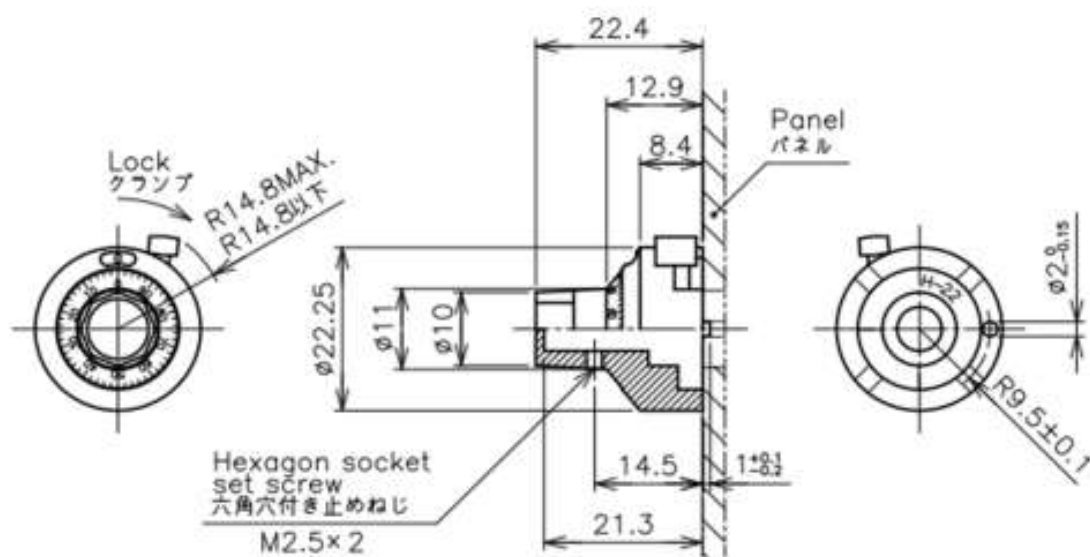
## General

- Multi-turn Dial (analog)
- Use with HP-18 10-turn wire wound potentiometer

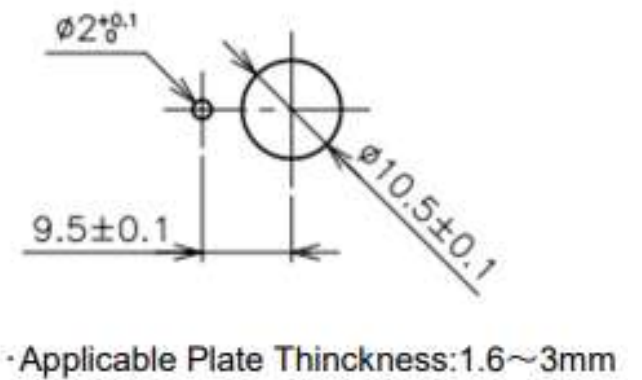
## Material

- Housing: Zinc, Aluminum, Copper Alloy, POM

## Dimension (mm)



## Mounting(mm)



## Specifications

<b>Number of Turns</b>	15 Turns
<b>Minor Scale Division</b>	1/500
<b>Mass</b>	Approx. 15g
<b>Applicable Potentiometer</b>	HP-18 (10-turn wire wound potentiometer)
<b>Applicable Panel Thickness</b>	1.6~3mm

## Supplied Accessories

- Hexagonal wrench for set screw: 1pc
- Antirotation Device Nut: 1pc (If H-22 is used with HP-18, please do not use it.)

## Handling Instruction

This dial is designed for being mounted on potentiometer only and then being rotated by hand.