

Contactless MR-Element Angle Sensor

MIDORI CP-2UN Series



General

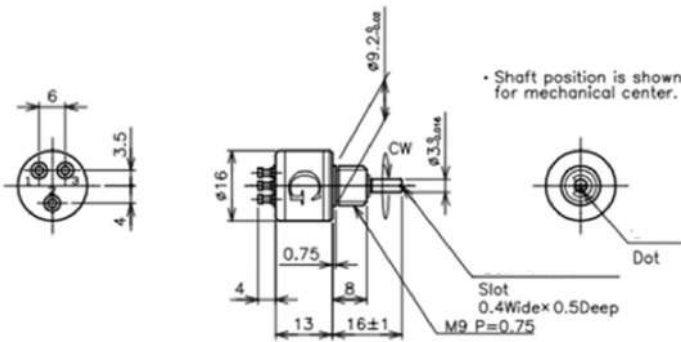
- Single-turn MR-Element Angle Sensor
- Lower Current Consumption
- Effective Electrical Angle: 90°
- Independent Linearity: ±2%FS
- Bushing Mount
 - CP-2UTN : Turret Terminal Type
 - CP-2UN : Lead Wire Type

Material

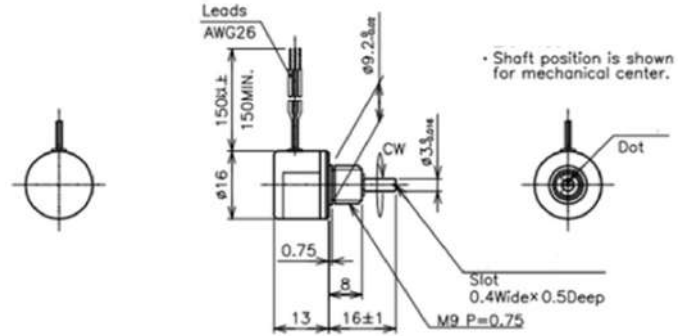
- Housing: Aluminum
- Shaft: Stainless Steel
- Ball Bearing: Stainless Steel

Dimension (mm)

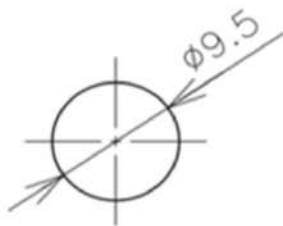
CP-2UTN



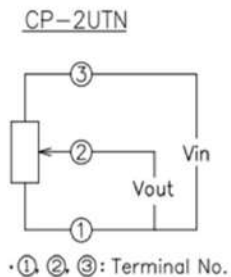
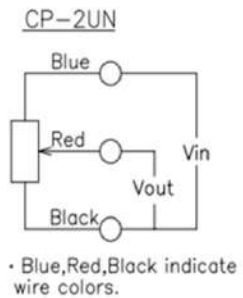
CP-2UT



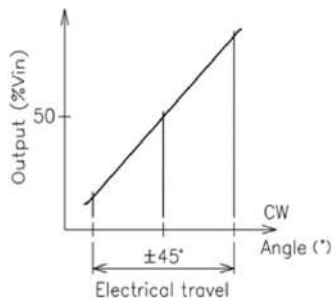
Mounting(mm)



Schematic



Output Characteristics



Specifications

	CP-2UTN (Turret Terminal Type)	CP-2UN (Lead Wire Type)
Electrical Specifications		
Effective Electrical Travel	±45°	
Output Sensitivity	2%Vin/10°	
Independent Linearity	±2%FS	
Input Impedance	14KΩ±50% (7K~21K Ω)	
Input Voltage	DC10V MAX.	
Load Resistance	5MΩ	
Temp. Characteristics: -30~+80°C	@0° : ±0.5° / @±45° : ±6° (Reference Temp. 25°C)	
Mechanical Specifications		
Total Mechanical Travel	360° Endless	
Torque	0.05mN · m MAX.	
Thrust Load Tolerance	1N	
Radial Load Tolerance	5N	
Mass	Approx. 10g	
Environmental Specifications		
Category Temperature Range	-40~+100°C	
Storage Temperature Range	-40~+100°C	
Vibration	200m/S2 3axis 2hours each	
Shock	100m/S2, 3axis 6directions 3times each	

Options

Temperature Compensating Range: -30~+100°C

Accessories

N9 Nut, Internal Toothed Lock Washer 1piece each

Handling Instruction

- Total resistance value may be changed greatly cause by influence of temperature changing at handling environment.
- This product may be influence from external magnetic field.
- Use this sensor in the place where is protected from ESD.