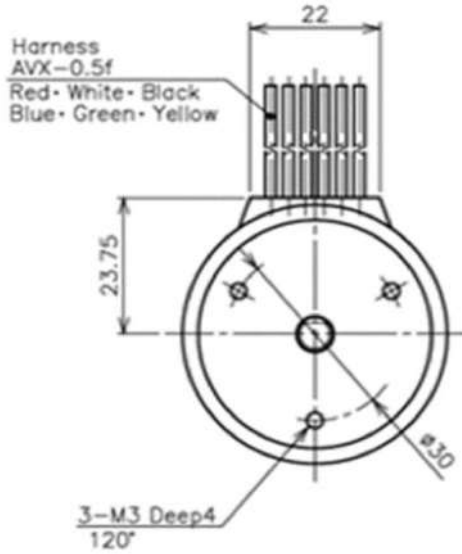
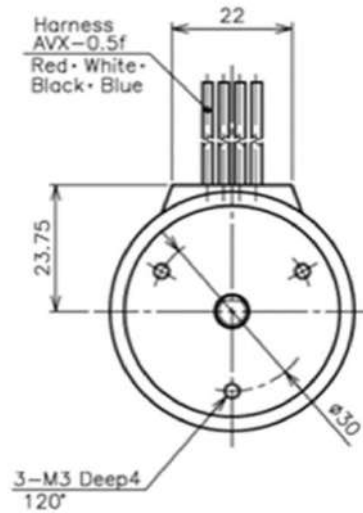


Dimension (mm)

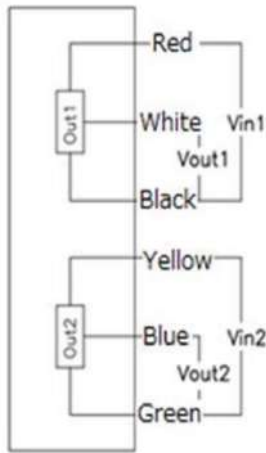
Dual Output, 6 wires



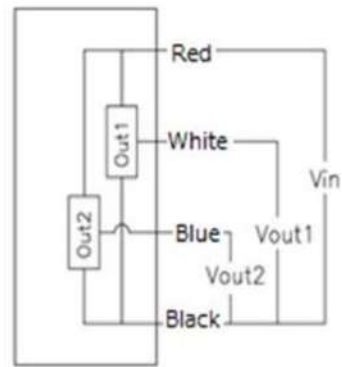
Dual Output, 4 wires



Schematic



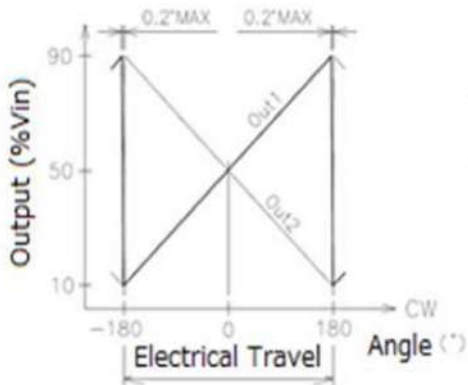
Each color indicate harness colors



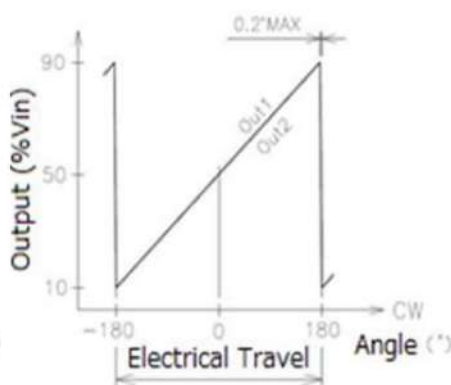
Each color indicate harness colors

Output Characteristics

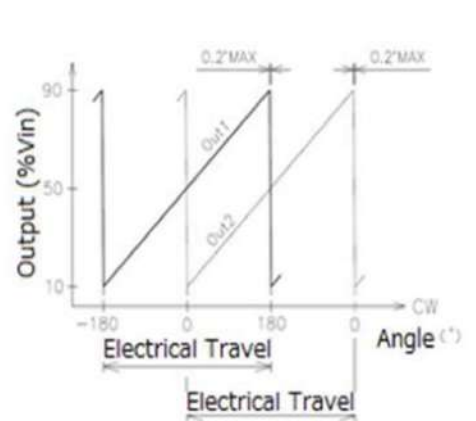
Cross Output



Parallel Output



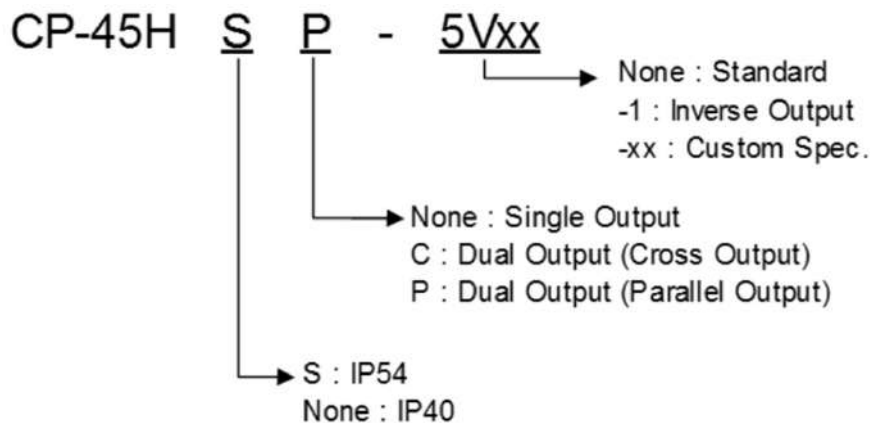
180° Phase Output



Specifications

| | CP-45H-5V | CP-45HS-5V | CP-45HC-5V | CP-45HP-5V | CP-45HSP-5V | CP-45HSC-5V |
|---|--|------------|-------------|------------|-------------|-------------|
| Electrical Specifications | | | | | | |
| Effective Electrical Travel | 360° (=359.8°) | | | | | |
| Output Range | 0~5V | | | | | |
| Absolute Linearity | ±1%FS (FS=360°) | | | | | |
| Input Voltage | DC8~32V | | | | | |
| Load Resistance | 10KΩMIN. | | | | | |
| Insulation Resistance | 100MΩMIN. DC50V | | | | | |
| Supply Current | 13mA MAX. | | 26mA MAX. | | | |
| Output Resolution | 12bit (Shaft Rotational Speed 16rpm MAX.) | | | | | |
| Hysteresis | ±0.2%FS MAX. | | | | | |
| Response Time | 0.9ms MAX. | | | | | |
| Temp. Characteristics -40~100°C (Ref.Temp. 25°C) | ±3.6° MAX. | | | | | |
| Dual Output Difference | --- | --- | 100±1.5%Vin | ±1.5%Vin | ±1.5%Vin | 100±1.5%Vin |
| Mechanical Specifications | | | | | | |
| Total Mechanical Travel | 360° Endless | | | | | |
| Thrust Load Tolerance | 2N | | | | | |
| Radial Load Tolerance | 6N | | | | | |
| Mass | Approx. 100g | | | | | |
| Torque | 1.8mN · m | 30mN · m | 1.8mN · m | 1.8mN · m | 30mN · m | 30mN · m |
| Environmental Specifications | | | | | | |
| Life Cycle | 10 Million Cycle (Room Temp. No load) | | | | | |
| Category Temp. Range | -40~+100°C | | | | | |
| Storage Temp. Range | -40~+100°C | | | | | |
| Vibration | 5~500Hz, 200m/S ² (20G) 3directions 4hours each | | | | | |
| Shock | 1000m/S ² (100G), 6directions 3times | | | | | |
| EMS | 100V/m 1M~1GHz (ISO 11452) | | | | | |
| ESD (Case to Each Terminal) | ±15kV MAX. (IEC61000-4-2) | | | | | |
| ESD (Between Each Terminal) | ±15kV MAX. (IEC61000-4-2) | | | | | |
| IP Level | IP40 | IP54 | IP40 | IP40 | IP54 | IP54 |

CP-45H-5V Model Number Designation



Handling Instruction

- Do not use Hall-IC sensors as a variable resistor.
- This product may be influence from external magnetic field.
- Use this sensor in the place where is protected from ESD.